

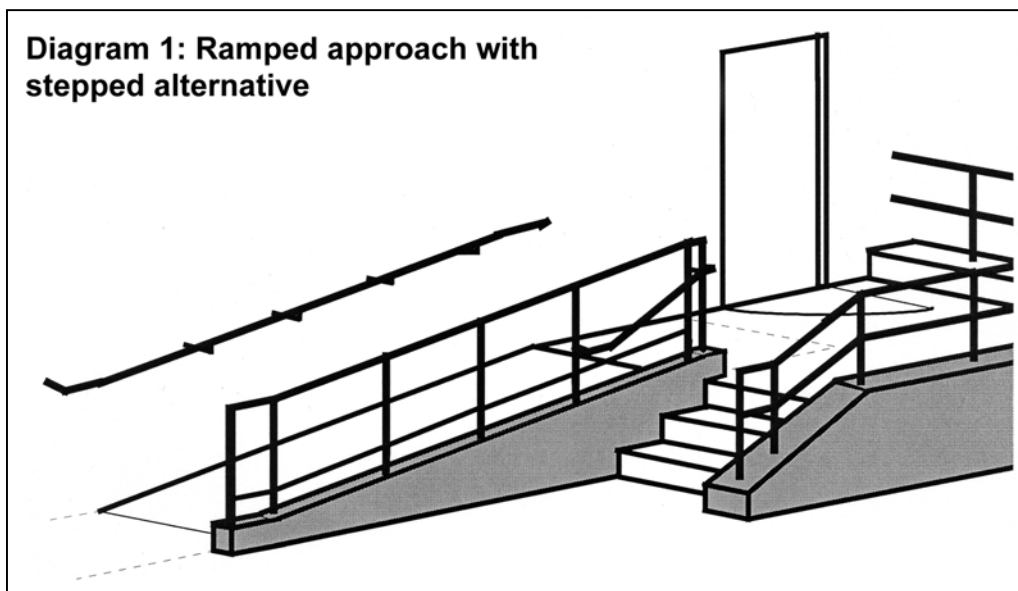
All users of a building should be able to use the same entrance and exit, and be able to do so without assistance. Where this is not possible, for example in an existing building, it is important that an accessible alternative entrance is provided. The entrance should be accessible from any on-site car parking, from the edge of the site, and between on-site buildings.

Obstructions and changes in level should be clearly marked for the benefit of people with impaired vision.

Further guidance on pavements, footpaths, and changes in level, can be found in Guidance Note No 11 – External environment.

Approaches from the boundary and any on-site parking

- Minimum 1500mm wide, with passing spaces 1800mm wide by 2m long at maximum 50m intervals and within sight of each other.
- Surfaces should be firm, durable, slip-resistant, and trip-free, with maximum 1:40 cross-fall.
- Routes should be clearly identifiable and provided with adequate lighting.
- If possible, approaches should be level. Gradients can be considered to be level if they are less than 1:60 gradient.
- Gradients steeper than 1:60 but not steeper than 1:20 should have level landings for each 500mm rise. Otherwise a suitable ramp should be provided.
- Where there is a significant change in level, a stepped alternative to a ramp should be provided.



External Ramps

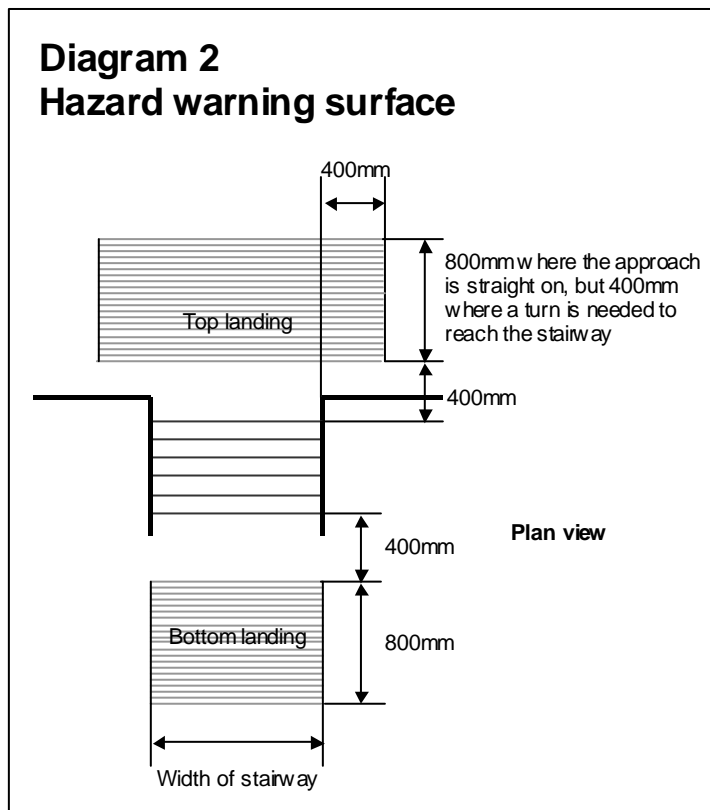
- Ramps should have a surface width of at least 1500mm.
- Where there would otherwise be a drop at the edge of a ramp or landing, a kerb should be provided at a minimum height of 100mm.

- Ramps should have non-slip surfaces, and handrails both sides.
- Landings at each end of ramps should have at least 1200mm going, to allow sufficient room for wheelchair manoeuvre. Where landings are necessary between ramps they should have at least 1500mm going.
- Ramp flights should not exceed the following gradients: -

Maximum gradient	Maximum going
1:20	10m
1:19	9m
1:18	8m
1:17	7m
1:16	6m
1:15	5m
1:14	4m
1:13	3m
1:12	2m

External Stairways

- Avoid using single steps.
- Stairways should have surface width of at least 1200mm.
- Flights should have no more than 12 risers for goings of less than 350mm, and no more than 18 risers for goings of 350mm or greater.
- Rises should be uniform and between 150mm and 170mm. Goings should be uniform and a between 280mm and 425mm.
- Nosings should contrast with the treads and risers, and be durable.
- Treads should not overhang risers by more than 25mm, and risers should be closed.
- There should be continuous handrails on both sides (to give assistance to those people who have greater strength in one arm than the other).
- Landings should be level and have at least 1200mm going.



Hazard warning surfaces for external stairways

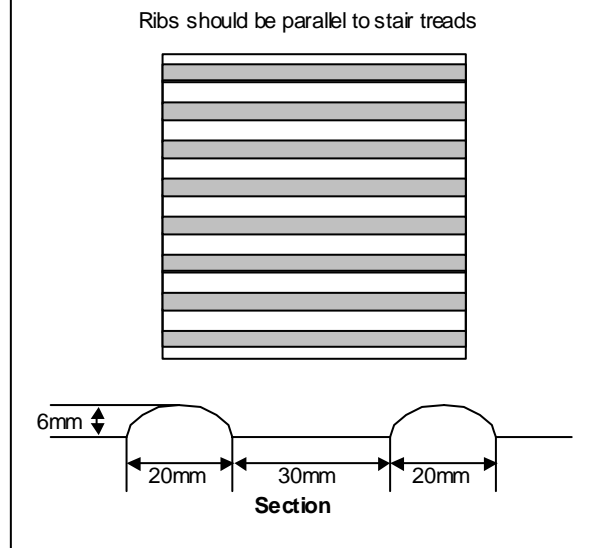
To give advance warning of a change in level: -

- Top and bottom landings of stairways should incorporate suitable hazard warning surfaces (see Diagrams 2 and 3).
- Suitable hazard warning surfaces should also be provided where there is side access onto an intermediate landing.

Handrails for ramped and stepped approaches

- Handrails should be between 900mm and 1000mm above steps (measured from an imaginary line joining the nosings) and ramps.
- Handrails should be between 900mm and 1100mm above landings.
- Handrails should not project into a route of travel.
- Handrails should be easy to grip, and preferably not cold to the touch. A tubular style with an outside diameter of 40mm to 45mm, at least 60mm clear of any walling, is preferable.
- Handrails should continue 300mm beyond the top and bottom of steps and ramps, and continue through intermediate landings.
- Handrails should contrast visually with their surroundings.

Diagram 3: 'Corduroy' hazard warning surface

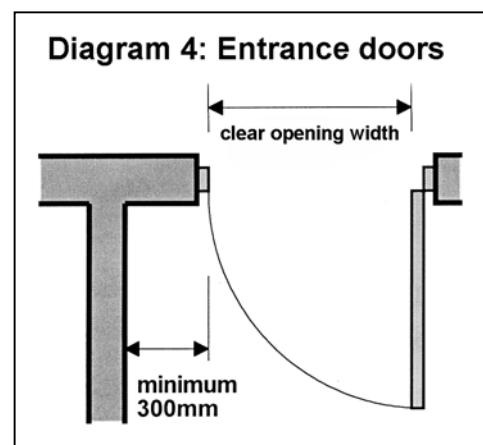


Entrance doors

- Level access through entrance doors should be provided and there should be no threshold step. Where unavoidable, threshold weather bars should have a maximum height of 15mm.
- The entrance door should have minimum clear opening width as follows: -

	New buildings	Existing buildings
Buildings used by the general public	1000mm	775mm
Other buildings	800mm	750mm

- Where double entrance doors are provided, the minimum clear opening width should be provided by one leaf alone.
- A clear opening space to the leading edge of manual entrance doors should be provided to allow for wheelchair manoeuvre (see Diagram 4).
- Entrance doors should be easy to open, not only by people using wheelchairs, but also by those with limited strength, dexterity and stability.
- Where exit doors are separate from entrance doors, they should accord with the same standards.
- Unless there is good reason not to, entrance doors should incorporate visibility glazing that extends both between 500mm and 800mm, and between 1150mm and 1500mm, from the floor.



- Effective visual warnings (manifestation) on fully glazed doors and side panels should be provided both between 850mm and 1000mm, and between 1400mm and 1600mm, from the floor.
- Leading edges of doors should be guarded or contrast visually, if they can be held open.

Type and design of entrance door

Automatic doors

- Wherever possible, automatic doors should be provided.
- Sliding automatic doors are preferable to hinged automatic doors.
- Automatic doors should remain open long enough for someone with limited mobility to pass through in comfort.
- The presence of automatic doors should be clearly signed.
- Any manual controls should be 750-1100mm above floor level, operable by using a closed fist, and set clear of swinging doors.

Manual doors

- Should not require more than 20N (2Kg) pressure at the leading edge of the door to open them.
- Door handles should be not cold to the touch, and should contrast visually with the door.
- Door furniture should allow the door to be opened with a closed fist. Lever style door handles are therefore preferable.

Revolving doors

- Wherever possible, revolving doors should be avoided as they can be confusing to people with visual impairments and difficult to negotiate for those with limited strength and mobility.
- A suitable alternative side door should be provided.

Entrance Lobbies

- Entrance lobbies should be sized to allow a wheelchair user and a helper together sufficient space to move clear of one door before having to open the next door. This can be achieved if the lobby contains an area 1570mm long and at least as wide as the wider of the doors serving the lobby, free of all door swings and other obstructions.
- Vision panels should be incorporated in doors and walls of lobbies so that people approaching the lobby can see someone else on their way through.
- Deep mat wells with deep pile matting should be avoided in the lobby as they create a threshold on the line of the door and can be difficult to negotiate, particularly for those using wheelchairs or walking sticks.

<p>This guide is produced by the Access Officers of Brighton & Hove City Council, Eastbourne BC, Hastings BC, Lewes DC, Rother DC and Wealden DC</p>
--